

POWER PACKS

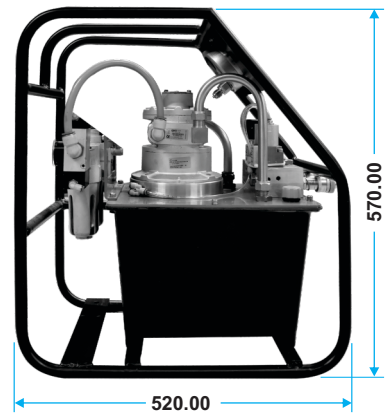
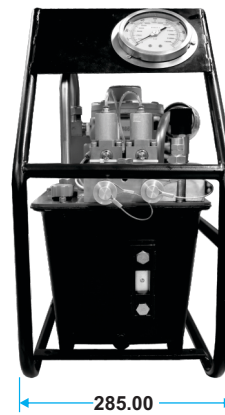
AP1000 Pneumatic



AP1000 with Mono Port

AP1000 - High Flow - High Speed for Heavy Duty Application

- Quadra-Port Multi-Port Manifold (Max. 4 Ports).
- Cool running continuous duty axial piston pump.
- Powerful industrial duty air motor.
- Runs on 70 cfm / 90 PSI of air.
- Quiet operation (approx. 75-80 dBA @ 10,000 PSI).
- Rugged remote pendant to control motor and valve.
- Easily adjustable pressure control knob.
- Auto-dump relieves oil pressure from hoses.
- Filter-lubricator for long trouble free operation.
- 2 Gallon oil reservoir.
- Precise PSI/BAR pressure gauge.
- Quick-connect no-drip couplers with safety locking collar.
- Supplied with dual non-conductive high pressure hose with couplers.



Resvr. Size (Gal)	Valve		Motor Specifications	Flow Rate		Weight	
	Control	Type		600 psi	10,000 psi	kg	lbs
2	Solenoid	3 Way/2 Pos.	Industrial Rotary Air	11 lpm	0.9 lpm	34	75

Retract pressure is preset at 1,300 PSI.