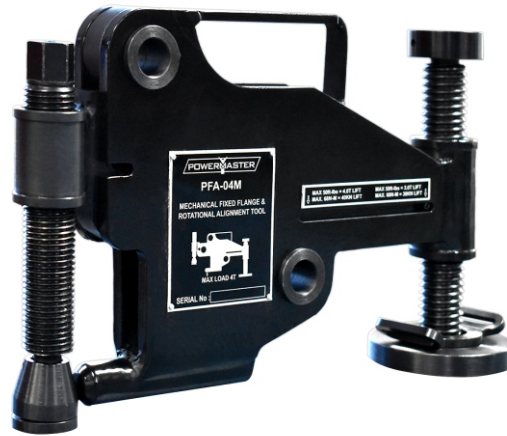


FLANGE ALIGNMENT TOOL



Without appropriate tools for flange alignment, efficiency and safety is vulnerable. Powermaster's flange alignment tools should be part of a basic tool set for anyone doing service work in pipeline maintenance.

The Powermaster range of precise, labor saving flange alignment tools will eliminate risks associated with traditional flange alignment practices.

Easy, Simple, Safe, modern solution for linear or rotational misalignment of fixed flanges.

A simple solution to small, low pressure flange misalignment. The Mechanical Fixed Flange & Rotational Alignment Tool is the perfect solution for flange aligning, eliminating the risk of slippage.

The Most Practical/Safe Option :

The Flange alignment tool can be used during

- | | |
|--|---|
| <ul style="list-style-type: none">• Construction• Routine maintenance | <ul style="list-style-type: none">• Commissioning• Shutdowns/outages |
|--|---|

Special Features :

- Precise and safe operation
- Saves cost and time
- Safer operation than traditional methods
- Lightweight – ideal for remote locations
- Robust and portable
- Lifting capacity 4000 kg

Operating Benefits :

- Safe
- Simple
- Cost effective
- Can be used both on and offshore



Traditional flange alignment method

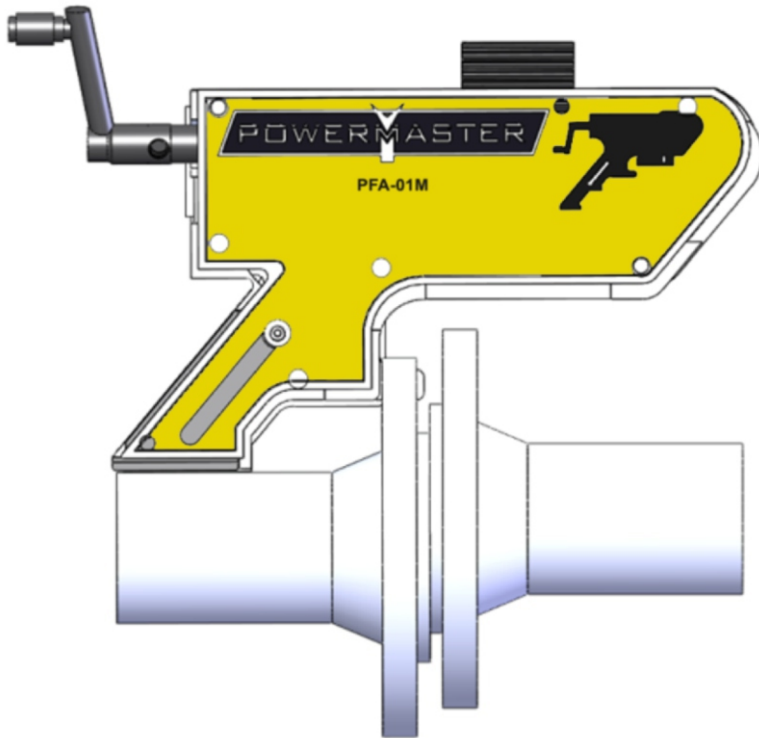


Traditional flange alignment method

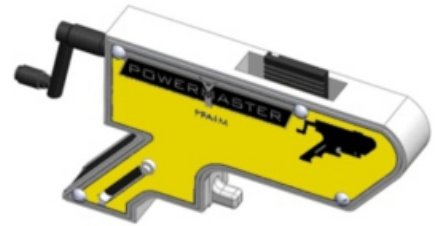


Powermaster flange alignment method

MECHANICAL FLANGE ALIGNMENT TOOL - PFA-01M

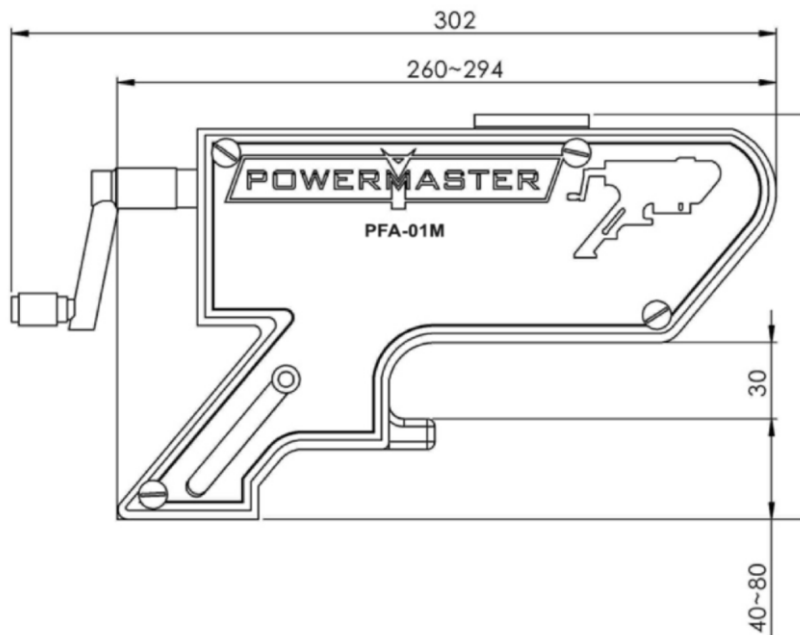


- Aligning Force: 1T (10 kN)
- Tool Weight: 2.5 kg (5.51lb)



Weights and Dimensions:

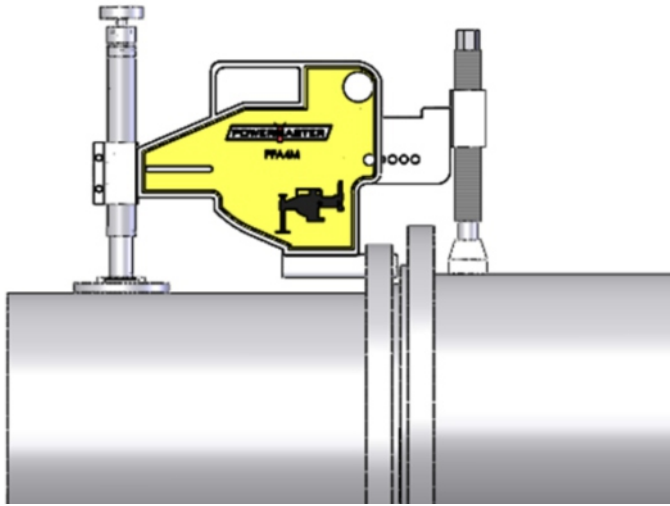
- Tool Weight: 2.5 kg (5.51lb)



Kit Components:

- 1 x PFA-01TM Tool
- 1 x Instruction Manual

MECHANICAL LINEAR AND ROTATIONAL FLANGE ALIGNMENT TOOL - PFA-04M

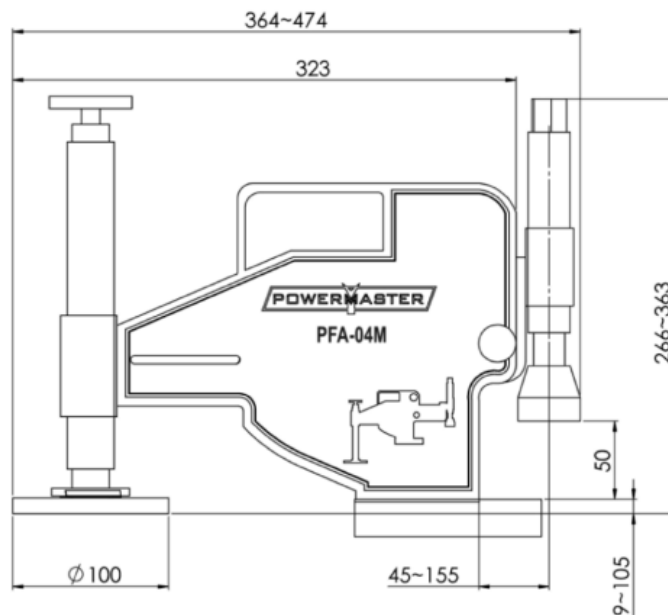


- Aligning Force: With 68 N.m (50 ft.lb) of torque applied: 4T (40 Kn)
- Tool Weight: 9.9 kg (21.82 lb)



Weights and Dimensions:

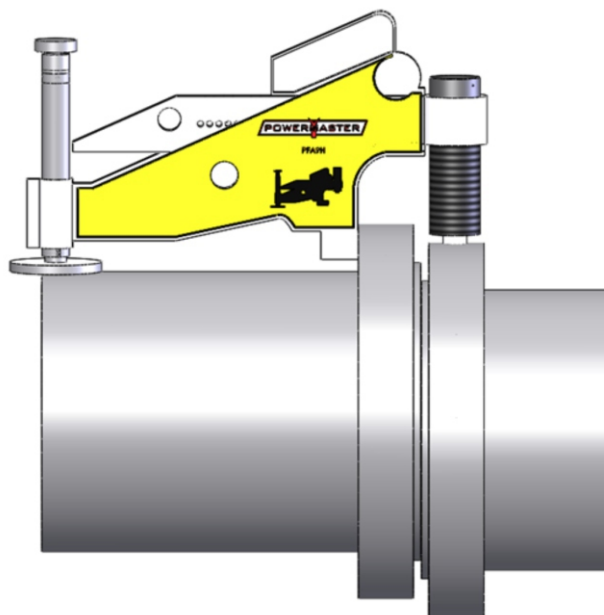
- Tool Weight: 9.9 kg (21.82 lb)



Kit Components:

- 1 x PFA-04M Tool
- 1 x Ratchet Spanner
- 1 x 22mm Socket
- 1 x Ratchet Strap
- 1 x Instruction Manual

HYDRAULIC FIXED FLANGE AND ROTATIONAL TOOL - PFA-09H

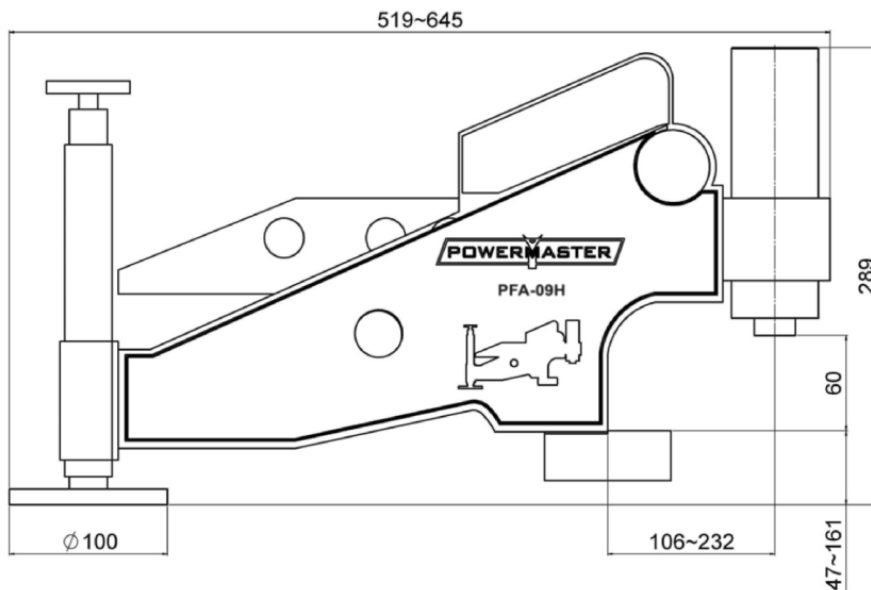


- Aligning Force: 10000 psi (700 Bar) = 9T (90kN)
- Tool Weight: 16.67 Kg (36.75 lbs)



Weights and Dimensions:

- Tool Weight: 16.67 kg (36.75 lbs)



Kit Components:

- 1 x PFA-09H Tool
- 1 x Ratchet Strap
- 1 x Instruction Manual