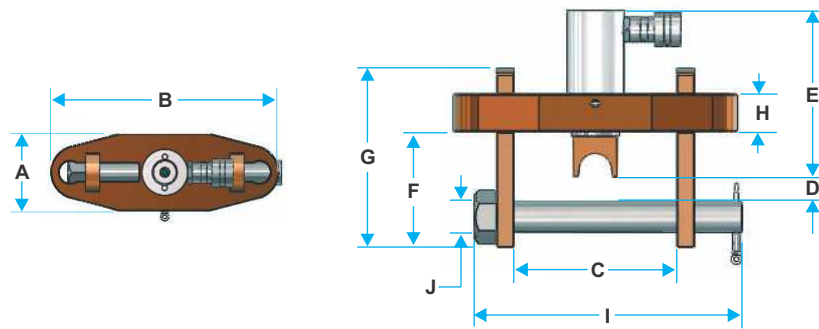


# HYDRAULIC FLANGE SPREADERS



Hydraulic Flange Spreaders are used for safety opening pipe flanges. Available in capacities of 5 tonnes and 10 tonnes the versatility of both models enables the user to open flanges up to 92mm thick. Operated with a standard hydraulic hand pump and connecting hose and supplied in a handy steel storage case, Hydraulic Flange Spreaders can be operated individually, or as a pair when opening large diameter flanges. With Hydraulic Flange Spreaders it takes minutes open the toughest flanges without the risks of sparks caused by hammer blows and chisels.



( All Dimensions in MM )

Model No.	A	B	C		D	E	F	G	H	I	J
			min	max							
FS-50	77	210	61	157	10	192	69	131	25	205	18
FS-100	110	290	61	226	30	165	89	180	38	274	31

Model No.	Capacity	Stroke	Oil Capacity	Max. Flange Thickness	Flange Diameter	Stud Size	Standard Wedge	Optional Wedge
	tonnes	mm	cm <sup>3</sup>	mm	mm(inch)	mm	mm	mm
FS-50	5	39	25	2 x 58	1150mm(45")	19 - 29	3 - 29	30 - 56
FS-100	10	55	78	2 x 93	1900mm(75")	32 - 41	3 - 29	30 - 56